

TECHNICAL SPECIFICATION

hushfree.S HUS-AP-001

FOR BETTER INDIVIDUAL WORK, ONLINE MEETINGS AND CONCENTRATED WORK

HushFree.S is an A-rated acoustic booth with new 500 lux lighting. The booth is designed for individual work, longer video conferences and phone calls. The booth is equipped with a desk that has a manually adjustable top. It offers the possibility to work in both standing and sitting positions, allowing the user to adopt an optimal body position while working. The elegantly designed side LED face illumination ensures the user is even more visible during video calls

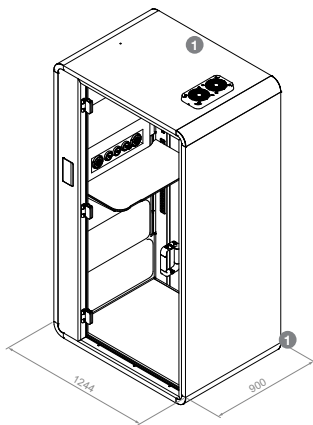


DIMENSIONING

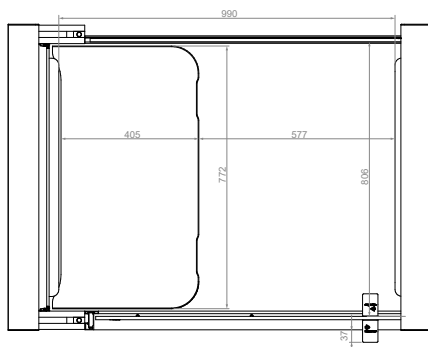


W/D/H: exterior 1244 x 900 x 2300 mm
interior 990 x 806 x 2034 mm

Weight: 361 kg **Weight with box:** 433 kg
Logistic data is available on request.



1 Access to power cable



ELECTRIC SYSTEM

LED CEILING LIGHT x1.

POWER SUPPLY MODULE (BASIC): 2x power supply 230V, 1x RJ45.

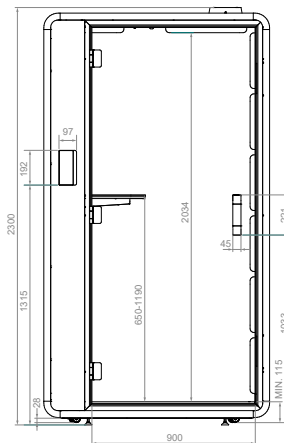
POWER SUPPLY MODULE (OPTIONAL, AS REQUIRED): type A charger, 1x type C charger with a total power of 5.0 V/4.0 A MAX.

POWER CABLE: black – access from the floor with 5000 mm overall length. Access from the booth exit, 3400 mm.

LAN PLUG CAT.6: available with 5000 mm total cable length, and available with 3400 mm at the booth exit.

MOTION SENSOR: located in the ceiling, activates lighting at 50% and ventilation systems at 100% of total power. Standby power consumption 5 W.

Maximum power consumption of the product 0,23A – 53W.



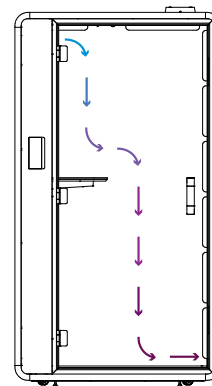
LIGHTING

LED ceiling light 30 W / 4000 K, lm – 2300; lux – min. 300 / medium 500 / max. 700. Integrated 3.5 W LED strips x 2 (adjustable, 4000k).



VENTILATION SYSTEM

2 fans x 80 m³/h* / 90 seconds**.



* maximum performance of the single fan, taking into account losses in the ventilation system.
** total time of air change inside based on the volume and capacity of one fan.



hushoffice

Manufacturer: Fabryka Mebli Biurowych Mikomax sp. z o.o. | 93-231 Łódź ul. Dostawcza 4, Polska
Distributor: Mikomax sp. z o.o. | 93-231 Łódź ul. Dostawcza 4, Polska

hushoffice.com

TECHNICAL SPECIFICATION

hushfree.S HUS-AP-001

EXTERIOR

GLASS DOOR WITH LATCH HANDLE: acoustic, tempered and laminated safety glass 10 mm, 5.5.2 thickness, including the 5 mm glass, 2 mm acoustic sheet and 5 mm glass. Anti-collision marking – silkscreen integrated inside the 65 mm wide glass. Transparent glass.

REAR SIDE GLASS PANELS: acoustic and laminated glass 10 mm (RW=35 dB), 5.5.2 thickness, including the 5 mm glass, 2 mm acoustic sheet and 5 mm glass. Placed in aluminum profiles with acoustic seal. Transparent glass. Matte version as an option.

DOOR HANDLE AND HINGES: painted in cosmos grey. Handle dimensions: 45 x 221 mm.

CASE: 3-layer honeycomb board with a thickness of 38 mm. Both sides covered with melamine and finished with ABS edging. Structure prepared for anti-seismic ground fixing.

4 integrated castors with levelling feet.

INTERIOR

TABLE TOP: measuring 772 x 405 mm, with height adjustment from 650 to 1190 mm. Made of 18 mm thick plywood covered with HPL laminate on both sides. Maximum load – 15 kg.

PANEL WITH CEILING LIGHT: in cosmos grey. Total dimensions 190 x 640 mm, ceiling light dimensions: 70 x 640 mm, hole prepared for smoke detector diameter 20 mm, hole prepared for sprinkler installation diameter 65 mm.

KNOB (standard): 69 mm.

INTERIOR PANELS: Made as a composite based on PETFELT, polyester fleece and fabric. PUR fire-retardant foam with acoustic properties, re-bonded.

UPHOLSTERY Athlon Plus:

weight: 750 g/m²; **composition:** 56% polyester, 44% Trevira CS; **flammability:** cigarette (BS EN 1021-1), cigarettes and matches (BS EN 1021 1&2), CA TB 117-2013; **light fastness:** 5 (EN ISO 105B02); **pilling resistance:** 5 (EN ISO 12945-2); **abrasion resistance:** 100.000 martindale cycles (EN ISO 12947-2); **certification:** OEKO-TEX® STANDARD 100.

INTEGRAL CARPETED FLOOR: complies with ASTM D2859 – 16 (2021), standard test method for ignitability characteristics of ready to use textile floor covering materials. Adapted to commercial intensive use (hotel room, hotel suite, boutique, shop, restaurant, conference room, high traffic office, reception, stairs). Graphite color.

BOOTH OCCUPANCY INDICATOR (optional): booth occupancy light indicator, measuring 96 x 96 x 37 mm, prepared to be integrated with the ventilation module power supply. Adapted to be positioned on the booth ceiling anywhere within 1000 mm of the fan housing. Actuated by a motion sensor.

HUSHBOOKING (optional): measuring 97 x 192 mm. Luminous side panel and touchscreen display indicating booth occupancy, enabling reservations, prepared to be integrated with the booth's power supply. The system can be integrated with the Microsoft 365 platform.

HUSHASSISTANT (optional): HushAssistant is a 4-inch (diameter 104 mm) round, high-resolution touchscreen lighting and ventilation controller. Part of HushAssistant's functionality is to manage and display meeting room availability. The system can be integrated with the Microsoft 365 platform.

ACOUSTIC RATING

Acoustic measurements according to ISO 23351-1:2020 – class A – D_{s,A} 30,2 (dB).



SUSTAINABLE DEVELOPMENT

Hushoffice booths are manufactured in the ISO 9001 and 14001 certified production factory in Poland by Mikomax Smart Office. The production process complies with the ISO 14001 environmental management system standard. Hushoffice booths are packaged and delivered in lightweight, recyclable cardboard boxes.

CERTIFICATION



Warranty



Made in EU



PEFC/04-04-0007
DINC-PEFC-COC-001290



hushoffice

Manufacturer: Fabryka Mebli Biurowych Mikomax sp. z o.o. | 93-231 Łódź ul. Dostawcza 4, Polska
Distributor: Mikomax sp. z o.o. | 93-231 Łódź ul. Dostawcza 4, Polska



hushoffice.com